

Kingsmagnet®

Honesty•Efficiency•Supremacy

Office Magnet

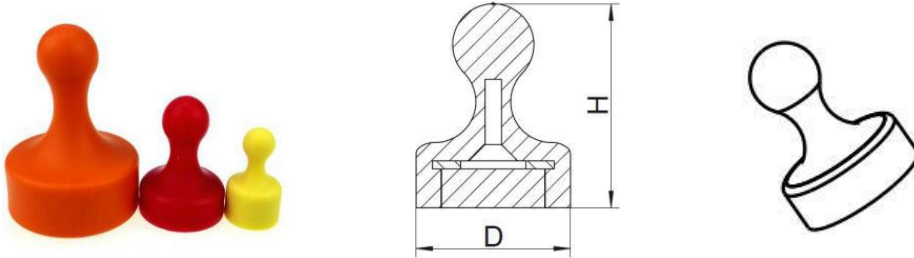


厦门顶磁磁业有限公司

XIAMEN KINGS MAGNET CO., LTD.

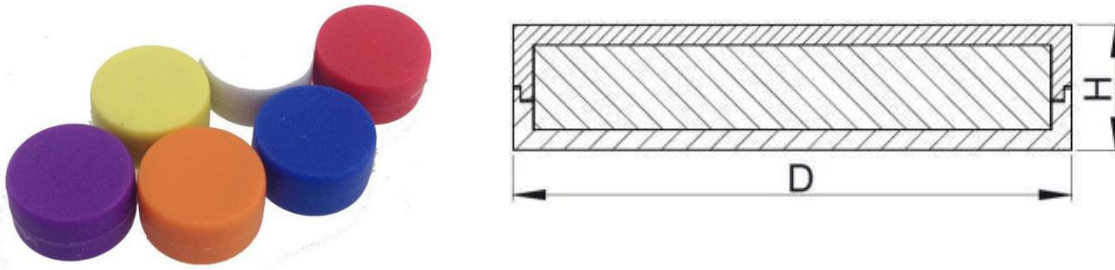
Office Magnet

1. Neodymium pin magnet, polypropylene plastic case-a



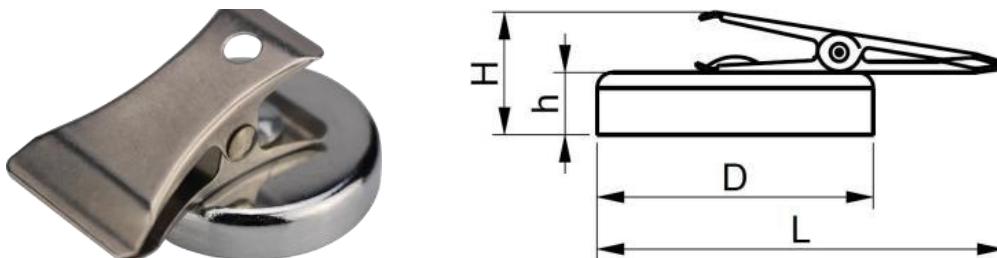
Model	D(mm)	H(mm)	Weight (g)	Hold A4 on white board
KM-D12*20	12	20	3.5	18 pieces
KM-D19*25	19	25	7	24 pieces
KM-D29*38	29	38	22	30 pieces

2. Neodymium pin magnet, polypropylene plastic case-b



Model	D(mm)	H(mm)	Weight (g)	Hold A4 on white board
KM-D12.7*6.35	12.7	6.35	4	11 pieces

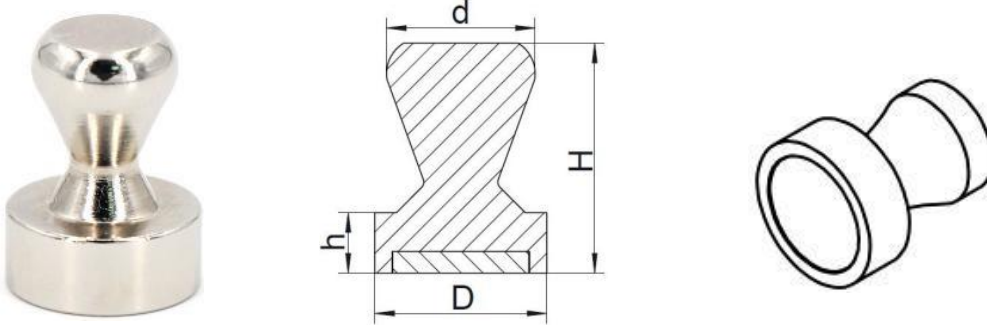
3. Ferrite clip magnet, chromium coating



Model	L(mm)	D(mm)	H(mm)	h (mm)	Weight (g)	Hold A4 on white board
KM-SFK36	50.5	36	23.2	7.4	45	140 pieces

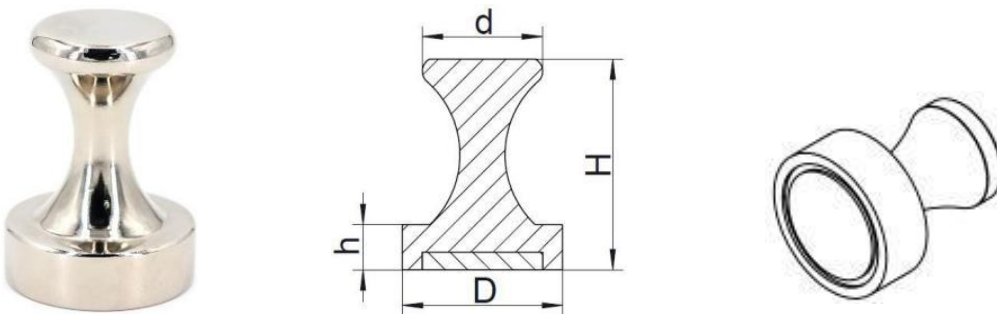
Office Magnet

4. Neodymium pin magnet, nickel coating-a



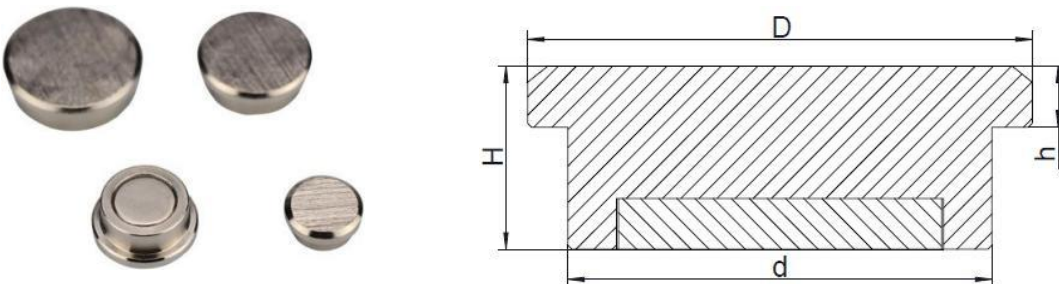
Model	D(mm)	d (mm)	H(mm)	h (mm)	Weight (g)	Hold A4 on white board
KM-D12*16	12	9	16	4	9.6	12 pieces
KM-D16*20	16	11	20	5	16	16 pieces
KM-D20*25	20	13	25	7	30	19 pieces
KM-D25*30	25	18	30	7	53	23 pieces

5. Neodymium pin magnet, nickel coating-b



Model	D(mm)	d (mm)	H(mm)	h (mm)	Weight (g)	Side Breakaway (Kg)
KM-D32*42	32	24	42	9	103	8
KM-D36*46	36	26	46	10	140	10
KM-D42*52	42	35	52	10	233	15

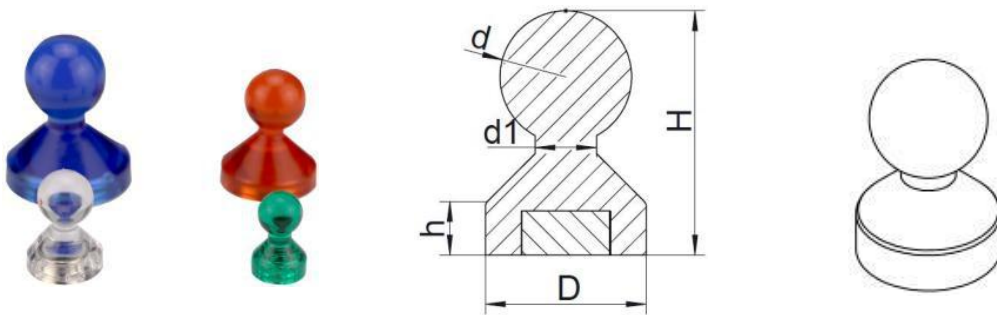
6. Neodymium pin magnet, nickel coating-c



Office Magnet

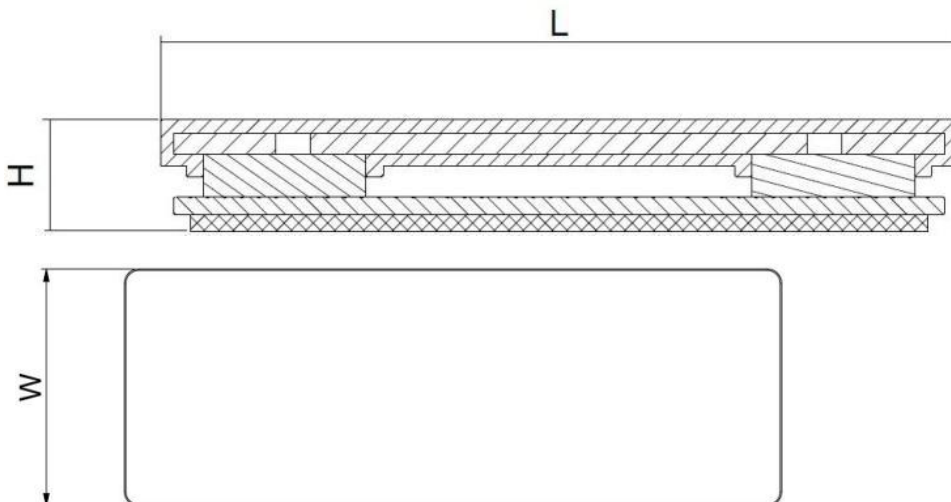
Model	D(mm)	d (mm)	H(mm)	h (mm)	Weight (g)	Hold A4 on white board
KM-D16	16	13.2	7.2	3.2	9	11 pieces
KM-D22	22	18	9	3	21	13 pieces
KM-D25	25	21	9	3	27	15 pieces
KM-D30	30	27	9	3	43	17 pieces

7. Neodymium pin magnet, acrylic plastic case



Model	D(mm)	d (mm)	d1 (mm)	H(mm)	h (mm)	Weight (g)	Hold A4 on white board
KM-D11*17	11	9	4.2	17	3.5	1.4	11 pieces
KM-D15*21	15	11	5	20	3.5	2.8	15 pieces
KM-D21*26	21	13.5	5.5	25	4.5	6.7	20 pieces
KM-D27*33	27	18	8.5	33	5.5	16	27 pieces



8. Name Badge Magnet-LS









Office Magnet

Model	Product picture	L(mm)	W(mm)	H(mm)	Magnet quantity	Frame diagram
KMBM-1		45.5	13	6.3	3	
KMBM-2 (ts-3)		45	13	6.3	3	
KMBM-3		45.5	13	6.3	3	
KMBM-4 (ts-6)		32.5	12.5	6.3	2	
KMBM-5 (ts-7)		45	13	5.3	2	
KMBM-6 (ts-10)		46	13.3	6.5	2	
KMBM-7		46.5	14.7	6.3	2	
KMBM-8 (ts-5)		45	13	6.3	2	

Office Magnet

KMBM-9		D17	/	5	1	
KMBM-10		D20		5	1	

9.Name Badge Magnet-RC

Model	Product picture	Product Size	Weight	Carton size	Packing (Per Carton)
KMSC-5		45*13mm	9.2g	35*27*14cm	1000sets
KMSC-6		47*15mm	13.7g	35*27*14cm	1000sets
KMSC-10		61*16mm	16.9g	35*27*14cm	540sets
KMSC-12 (ts-4)		64*14mm	18g	27.5*26.5*15.5cm	1200sets
KMSC-15		47*15mm	11.8g	35*27*14cm	1000sets
KMSC-18		45*13mm	11.2g	35*27*14cm	1000sets

Office Magnet

KMTC-2		D20mm	6g	35*27*14cm	1360sets
KMTC-3 (ts-1)		64*14mm	18g	27.5*26.5*15.5cm	1200sets
KMTC-4		37*13mm	12g	35*27*14cm	1200sets
KMTC-6		30*13mm	8g	35*27*14cm	1500sets
KMTC-08		70*15mm	13g	35*27*14cm	480sets
KMSTD-D15		D14.7*H7mm	1.5g	35*27*14cm	2000sets
KMSTD-D19		D18.8*H6.3mm	3.2g	35*27*14cm	1500sets
KMSTD-D23		D22.7*H7.4mm	5g	35*27*14cm	1200sets
KMSTD-D31		D30.7*H8mm	14g	35*27*14cm	1000sets
KMTC-02		D17mm	1.9g	27.5*26.5*15.5cm	7000sets
KMTC-08		D17mm	1.9g	27.5*26.5*15.5cm	7000sets