

# Kingsmagnet<sup>®</sup>

Honesty•Efficiency•Supremacy

## Hook Magnet

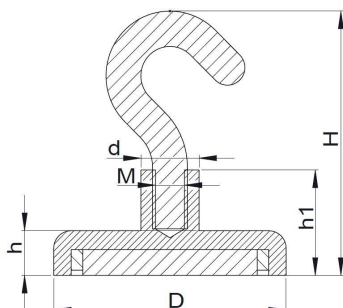


厦门顶磁磁业有限公司

XIAMEN KINGS MAGNET CO., LTD.

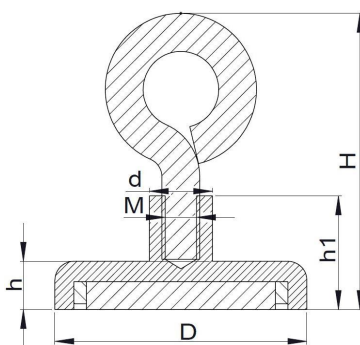
# Hook Magnet

## 1. Neodymium hook magnet, with hook, nickel coating



Model	D(mm)	d(mm)	M	h(mm)	h1(mm)	H(mm)	Weight(g)	Breakaway(kg)
KM-SNE10	10	6	M3	5	12.5	33	6	2
KM-SNE12	12	6	M3	5	12.5	33	7	4
KM-SNE16	16	6.5	M4	5	12.6	35	12	8
KM-SNE20	20	6.5	M4	7	14	36	21	12
KM-SNE25	25	7.5	M5	8	17	45	37	23
KM-SNE32	32	10	M6	8	18	48	61	34
KM-SNE36	36	10	M6	8	18	48	69	50
KM-SNE42	42	10	M6	8.6	18	48	101	72
KM-LNE48	48	12	M8	11	24	61	182	81
KM-LNE60	60	12	M8	15	28	64.5	362	160
KM-LNE75	75	17	M10	18	35	81	681	270

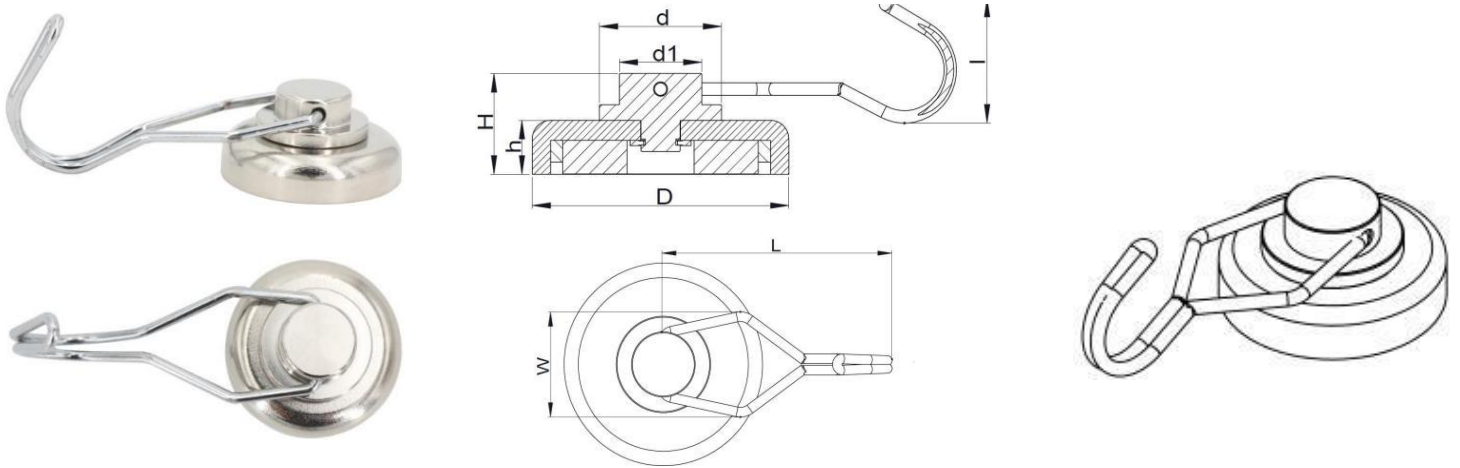
## 2. Neodymium hook magnet, with eyelet hook, nickel coating



# Hook Magnet

Model	D(mm)	d(mm)	M	h(mm)	h1(mm)	H(mm)	Weight(g)	Breakaway(kg)
KM-SNF10	10	6	M3	5	12.5	33	7	2
KM-SNF12	12	6	M3	5	12.5	33	8	4
KM-SNF16	16	6.5	M4	5	12.6	34.6	12	8
KM-SNF20	20	6.5	M4	7	14	36	21	12
KM-SNF25	25	7.5	M5	8	17	44.5	38	23
KM-SNF32	32	10	M6	8	18	47.5	63	34
KM-SNF36	36	10	M6	8	18	47.5	71	50
KM-SNF42	42	10	M6	8.6	18	47.5	106	72
KM-LNF48	48	12	M8	11	24	60.5	187	81
KM-LNF60	60	12	M8	15	28	64.5	367	160
KM-LNF75	75	17	M10	18	35	91	697	270

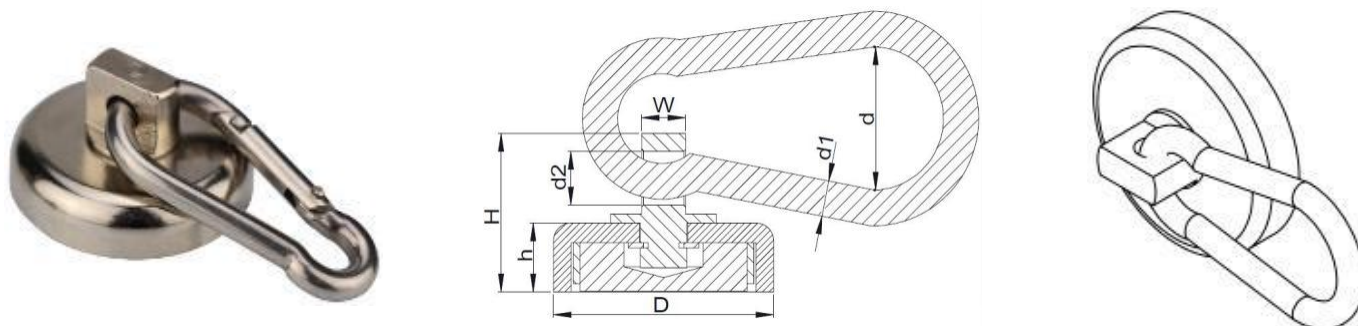
### 3. Neodymium hook magnet, with swivel hook, nickel coating



Model	D(mm)	d(mm)	d1(mm)	h(mm)	H(mm)	L(mm)	W(mm)	l(mm)	Weight(g)	Vertical Breakaway (Kg)	Side Breakaway (kg)
KM-SNG25	25	20	13.5	8	15.5	53.5	23	24	38	17	3.5
KM-SNG32	32	20	13.5	8	15.5	53.5	23	24	52	30	5.5
KM-SNG36	36	20	13.5	8	15.5	53.5	23	24	65	40	6.5
KM-SNG42	42	20	13.5	8.6	16.1	53.5	23	24	92	60	8

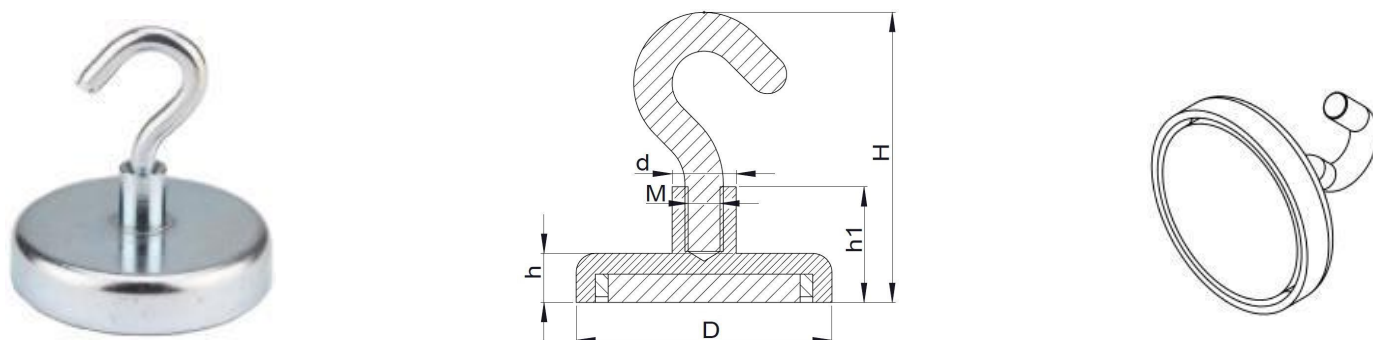
## Hook Magnet

### 4. Neodymium hook magnet, with carabiner-rotation, nickel coating



Model	D(mm)	d(mm)	d1 (mm)	d2 (mm)	W(mm)	H(mm)	h (mm)	Weight(g)	Breakaway(kg)
KM-SNL25	25	12	4	6.5	5	18.5	8	30	17
KM-SNL32	32	12	4	6.5	5	18.5	8	47	28
KM-SNL36	36	15	5	6.5	5	18.5	8	59	35

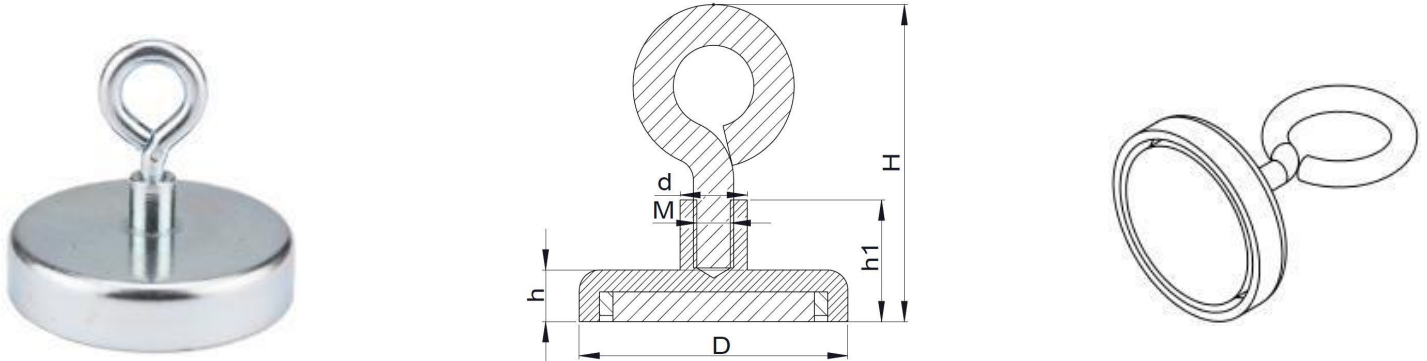
### 5. Ferrite hook magnet, with hook, zinc coating



Model	D(mm)	d(mm)	M	h(mm)	h1(mm)	H(mm)	Weight(g)	Breakaway(kg)
KM-SFE25	25	6.5	M4	7.4	15.5	37.5	25	4.5
KM-SFE32	32	6.5	M4	6.9	15.6	37.6	34	8.5
KM-SFE36	36	6.5	M4	7.9	16	38	48	11
KM-SFE40	40	7.5	M5	7.9	17.9	45.4	58	13
KM-SFE47	47	7.5	M5	9	18.5	46	88	18
KM-SFE50	50	7.5	M5	9.9	19.4	46.9	109	23
KM-SFE57	57	7.5	M5	10.4	19.9	47.4	148	29
KM-SFE63	63	10	M6	14	25.5	55	220	36
KM-SFE80	80	10	M8	18	31.2	67.7	430	62

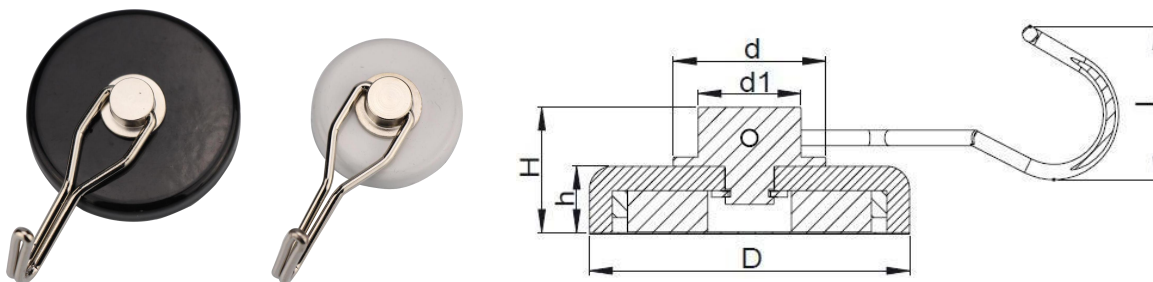
## Hook Magnet

### 6. Ferrite hook magnet, with hook, zinc coating



Model	D(mm)	d(mm)	M	h(mm)	h1(mm)	H(mm)	Weight(g)	Breakaway(kg)
KM-SFF25	25	6.5	M4	7.4	15.5	37.5	25	4.5
KM-SFF32	32	6.5	M4	6.9	15.6	37.6	34	8.5
KM-SFF36	36	6.5	M4	7.9	16	38	48	11
KM-SFF40	40	7.5	M5	7.9	17.9	45.4	58	13
KM-SFF47	47	7.5	M5	9	18.5	46	88	18
KM-SFF50	50	7.5	M5	9.9	19.4	46.9	109	23
KM-SFF57	57	7.5	M5	10.4	19.9	47.4	148	29
KM-SFF63	63	10	M6	14	25.5	55	220	36
KM-SFF80	80	10	M8	18	31.2	67.7	430	62

### 7. Ferrite hook magnet, with swivel hook, powder coating



Model	D(mm)	d(mm)	d1(mm)	H(mm)	h(mm)	l(mm)	Weight(g)	Vertical Breakaway (Kg)	Side Breakaway (kg)
KM-SFG36	36	16	10.8	14.5	8.3	20	50	4.2	1.7
KM-SFG52	52	16	10.8	14.5	8.3	20	80	7.4	2.5